

# TIGRIP®

## Spreader beam

TTS-E

TTS



**Model TTS-E**  
without adjustability

## Spreader Beam

Tigrip spreader beams are the practical and safe choice for either long material to prevent sagging and shifting, or for loads where the weight has to be carefully distributed or suspended from several points. The extensive standard program offers a wide variety of payloads, working widths, adjustable ranges and hooks for common applications.

The heavy-duty and cost-effective standard type is complemented by various special designs made to a customer's specifications. These may include spreader beams with hooks for plate material, or with C-hooks, crane forks, or grabs for bulky and long materials. Special designs with laterally fixed hooks are fitted with slings to pick up rolls, pipes and similar objects. Also available are the so-called "star" spreader beams for picking up cylindrical materials or spreader beams with side hooks and 4-point support which share the easy operation, reliability and safety of all Tigrip spreader beams.



**Model TTS**  
with adjustable hooks and center hook  
(Center hook shown is optional)

Table for standard spreader beam TTS-E, without adjustability

| Model           | Capacity<br>t | Jaw capacity Z<br>mm | Weight<br>kg | A<br>mm | B<br>mm | C<br>mm | D<br>mm | E<br>mm | F<br>mm | G<br>mm | H<br>mm | EAN-N°<br>4025092* |
|-----------------|---------------|----------------------|--------------|---------|---------|---------|---------|---------|---------|---------|---------|--------------------|
| TTS 1,0/1000 E  | 1,0           | 1000                 | 19           | 1140    | 355     | 60      | 110     | 130     | 25      | 15      | 20      | *0552905           |
| TTS 2,0/1000 E  | 2,0           | 1000                 | 21           | 1140    | 385     | 75      | 135     | 160     | 28      | 20      | 25      | *0554534           |
| TTS 3,0/1000 E  | 3,0           | 1000                 | 30           | 1140    | 455     | 90      | 160     | 190     | 35      | 25      | 25      | *0552813           |
| TTS 5,0/1000 E  | 5,0           | 1000                 | 54           | 1190    | 490     | 100     | 180     | 215     | 40      | 30      | 25      | *0554541           |
| TTS 7,5/1000 E  | 7,5           | 1000                 | 81           | 1190    | 615     | 140     | 260     | 300     | 45      | 35      | 34      | *0554558           |
| TTS 10,0/1000 E | 10,0          | 1000                 | 98           | 1190    | 640     | 140     | 260     | 305     | 50      | 40      | 42      | *0554565           |
| TTS 1,0/1500 E  | 1,0           | 1500                 | 25           | 1640    | 355     | 60      | 110     | 130     | 25      | 15      | 20      | *0552851           |
| TTS 2,0/1500 E  | 2,0           | 1500                 | 33           | 1640    | 405     | 75      | 135     | 160     | 28      | 20      | 25      | *0554572           |
| TTS 3,0/1500 E  | 3,0           | 1500                 | 58           | 1640    | 435     | 90      | 160     | 190     | 35      | 25      | 25      | *0552028           |
| TTS 5,0/1500 E  | 5,0           | 1500                 | 81           | 1690    | 510     | 100     | 180     | 215     | 40      | 30      | 25      | *0552172           |
| TTS 7,5/1500 E  | 7,5           | 1500                 | 115          | 1690    | 635     | 140     | 260     | 300     | 45      | 35      | 34      | *0554589           |
| TTS 10,0/1500 E | 10,0          | 1500                 | 143          | 1690    | 660     | 140     | 260     | 305     | 50      | 40      | 42      | *0554596           |
| TTS 1,0/2500 E  | 1,0           | 2500                 | 45           | 2640    | 375     | 60      | 110     | 130     | 25      | 15      | 20      | *0554602           |
| TTS 2,0/2500 E  | 2,0           | 2500                 | 80           | 2640    | 385     | 75      | 135     | 160     | 28      | 20      | 25      | *0552769           |
| TTS 3,0/2500 E  | 3,0           | 2500                 | 104          | 2640    | 455     | 90      | 160     | 190     | 35      | 25      | 25      | *0552202           |
| TTS 5,0/2500 E  | 5,0           | 2500                 | 165          | 2690    | 550     | 100     | 180     | 215     | 40      | 30      | 25      | *0552493           |
| TTS 7,5/2500 E  | 7,5           | 2500                 | 212          | 2690    | 675     | 140     | 260     | 300     | 45      | 35      | 34      | *0554619           |
| TTS 10,0/2500 E | 10,0          | 2500                 | 246          | 2690    | 700     | 140     | 260     | 305     | 50      | 40      | 42      | *0554626           |
| TTS 1,0/3500 E  | 1,0           | 3500                 | 104          | 3640    | 355     | 60      | 110     | 130     | 25      | 15      | 20      | *0554633           |
| TTS 2,0/3500 E  | 2,0           | 3500                 | 133          | 3640    | 405     | 75      | 135     | 160     | 28      | 20      | 25      | *0554640           |
| TTS 3,0/3500 E  | 3,0           | 3500                 | 171          | 3640    | 475     | 90      | 160     | 190     | 35      | 25      | 25      | *0552592           |
| TTS 5,0/3500 E  | 5,0           | 3500                 | 255          | 3690    | 570     | 100     | 180     | 215     | 40      | 30      | 25      | *0554657           |
| TTS 7,5/3500 E  | 7,5           | 3500                 | 313          | 3690    | 695     | 140     | 260     | 300     | 45      | 35      | 34      | *0554664           |
| TTS 10,0/3500 E | 10,0          | 3500                 | 402          | 3690    | 740     | 140     | 260     | 305     | 50      | 40      | 42      | *0554671           |
| TTS 1,0/5000 E  | 1,0           | 5000                 | 181          | 5140    | 375     | 60      | 110     | 130     | 25      | 15      | 20      | *0554688           |
| TTS 2,0/5000 E  | 2,0           | 5000                 | 230          | 5140    | 425     | 75      | 135     | 160     | 28      | 20      | 25      | *0552523           |
| TTS 3,0/5000 E  | 3,0           | 5000                 | 280          | 5140    | 495     | 90      | 160     | 190     | 35      | 25      | 25      | *0554695           |
| TTS 5,0/5000 E  | 5,0           | 5000                 | 402          | 5190    | 590     | 100     | 180     | 215     | 40      | 30      | 25      | *0554701           |
| TTS 7,5/5000 E  | 7,5           | 5000                 | 537          | 5190    | 735     | 140     | 260     | 300     | 45      | 35      | 34      | *0554718           |
| TTS 10,0/5000 E | 10,0          | 5000                 | 596          | 5190    | 760     | 140     | 260     | 305     | 50      | 40      | 42      | *0554725           |

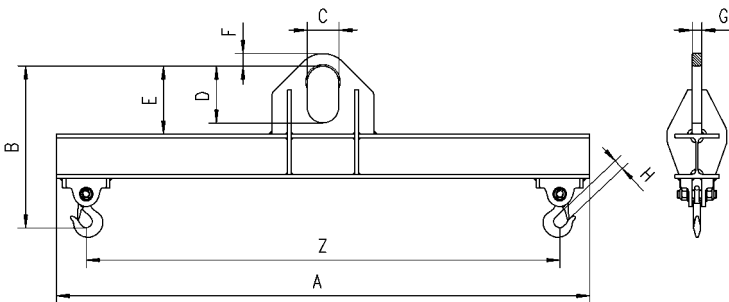


Table for spreader beam TTS, with adjustable hooks

| Model         | Capacity<br>t | Jaw capacity in mm |                | Weight<br>kg | G <sub>1</sub><br>mm | G <sub>2</sub><br>mm | H<br>mm | I<br>mm | J<br>mm | K<br>mm | L<br>mm | V<br>mm  | EAN-N°<br>4025092* |
|---------------|---------------|--------------------|----------------|--------------|----------------------|----------------------|---------|---------|---------|---------|---------|----------|--------------------|
|               |               | Z <sub>1</sub>     | Z <sub>2</sub> |              |                      |                      |         |         |         |         |         |          |                    |
| TTS 1,0/1500  | 1,0           | 930                | 1500           | 38           | 315                  | -                    | 100     | 60      | 80      | 28      | 20      | 3 x 95   | *552646            |
| TTS 2,0/1500  | 2,0           | 930                | 1500           | 52           | 350                  | -                    | 120     | 60      | 90      | 33      | 25      | 3 x 95   | *552295            |
| TTS 3,0/1500  | 3,0           | 810                | 1500           | 83           | 410                  | -                    | 140     | 80      | 100     | 35      | 30      | 3 x 115  | *553988            |
| TTS 5,0/1500  | 5,0           | 810                | 1500           | 109          | 500                  | -                    | 190     | 100     | 150     | 40      | 30      | 3 x 115  | *551281            |
| TTS 7,5/1500  | 7,5           | 750                | 1500           | 135          | 570                  | -                    | 230     | 130     | 170     | 60      | 30      | 3 x 125  | *553995            |
| TTS 10,0/1500 | 10,0          | 690                | 1500           | 152          | 630                  | -                    | 250     | 130     | 180     | 70      | 30      | 3 x 135  | *552219            |
| TTS 12,5/1500 | 12,5          | 900                | 1500           | 164          | -                    | 820                  | 280     | 130     | 180     | 75      | 40      | 3 x 100  | *554008            |
| TTS 15,0/1500 | 15,0          | 900                | 1500           | 182          | -                    | 900                  | 300     | 140     | 200     | 80      | 40      | 3 x 100  | *554015            |
| TTS 20,0/1500 | 20,0          | 960                | 1500           | 215          | -                    | 1000                 | 340     | 160     | 220     | 90      | 50      | 2 x 135  | *554022            |
| TTS 25,0/1500 | 25,0          | 960                | 1500           | 270          | -                    | 1070                 | 340     | 160     | 220     | 100     | 50      | 2 x 135  | *554039            |
| TTS 1,0/2500  | 1,0           | 1550               | 2500           | 62           | 315                  | -                    | 100     | 60      | 80      | 28      | 20      | 5 x 95   | *554046            |
| TTS 2,0/2500  | 2,0           | 1550               | 2500           | 88           | 370                  | -                    | 120     | 60      | 90      | 33      | 25      | 5 x 95   | *552158            |
| TTS 3,0/2500  | 3,0           | 1350               | 2500           | 130          | 430                  | -                    | 140     | 80      | 100     | 35      | 30      | 5 x 115  | *552448            |
| TTS 5,0/2500  | 5,0           | 1350               | 2500           | 163          | 520                  | -                    | 220     | 100     | 150     | 40      | 30      | 5 x 115  | *552424            |
| TTS 7,5/2500  | 7,5           | 1250               | 2500           | 205          | 610                  | -                    | 250     | 130     | 170     | 60      | 30      | 5 x 125  | *554053            |
| TTS 10,0/2500 | 10,0          | 1150               | 2500           | 243          | 670                  | -                    | 260     | 130     | 180     | 70      | 30      | 5 x 135  | *554060            |
| TTS 12,5/2500 | 12,5          | 1300               | 2500           | 254          | -                    | 860                  | 280     | 130     | 180     | 75      | 40      | 6 x 100  | *554077            |
| TTS 15,0/2500 | 15,0          | 1300               | 2500           | 316          | -                    | 960                  | 300     | 140     | 200     | 80      | 40      | 6 x 100  | *554084            |
| TTS 20,0/2500 | 20,0          | 1420               | 2500           | 384          | -                    | 1080                 | 340     | 160     | 220     | 90      | 50      | 4 x 135  | *554091            |
| TTS 25,0/2500 | 25,0          | 1420               | 2500           | 392          | -                    | 1150                 | 340     | 160     | 220     | 100     | 50      | 4 x 135  | *554107            |
| TTS 1,0/3500  | 1,0           | 2170               | 3500           | 90           | 330                  | -                    | 100     | 60      | 80      | 28      | 20      | 7 x 95   | *552684            |
| TTS 2,0/3500  | 2,0           | 2170               | 3500           | 132          | 390                  | -                    | 120     | 60      | 90      | 33      | 25      | 7 x 95   | *554114            |
| TTS 3,0/3500  | 3,0           | 1890               | 3500           | 166          | 450                  | -                    | 140     | 80      | 100     | 35      | 30      | 7 x 115  | *554121            |
| TTS 5,0/3500  | 5,0           | 1890               | 3500           | 235          | 560                  | -                    | 190     | 100     | 150     | 40      | 30      | 7 x 115  | *554138            |
| TTS 7,5/3500  | 7,5           | 1750               | 3500           | 280          | 630                  | -                    | 230     | 130     | 170     | 60      | 30      | 7 x 125  | *554145            |
| TTS 10,0/3500 | 10,0          | 1610               | 3500           | 332          | 690                  | -                    | 250     | 130     | 180     | 70      | 30      | 7 x 135  | *554152            |
| TTS 12,5/3500 | 12,5          | 1700               | 3500           | 387          | -                    | 900                  | 320     | 130     | 180     | 75      | 40      | 9 x 100  | *554169            |
| TTS 15,0/3500 | 15,0          | 1700               | 3500           | 467          | -                    | 1165                 | 310     | 140     | 200     | 80      | 40      | 9 x 100  | *551403            |
| TTS 20,0/3500 | 20,0          | 1610               | 3500           | 598          | -                    | 1160                 | 340     | 160     | 220     | 90      | 50      | 7 x 135  | *554176            |
| TTS 25,0/3500 | 25,0          | 1610               | 3500           | 716          | -                    | 1230                 | 340     | 160     | 220     | 100     | 50      | 7 x 135  | *554183            |
| TTS 1,0/5000  | 1,0           | 2000               | 5000           | 206          | -                    | 745                  | 400     | 60      | 80      | 28      | 20      | 15 x 100 | *554367            |
| TTS 2,0/5000  | 2,0           | 2000               | 5000           | 280          | -                    | 795                  | 410     | 60      | 90      | 33      | 25      | 15 x 100 | *554374            |
| TTS 3,0/5000  | 3,0           | 2000               | 5000           | 330          | -                    | 855                  | 420     | 80      | 100     | 35      | 30      | 15 x 100 | *554381            |
| TTS 5,0/5000  | 5,0           | 2000               | 5000           | 460          | -                    | 975                  | 470     | 100     | 150     | 40      | 30      | 15 x 100 | *554398            |
| TTS 7,5/5000  | 7,5           | 2000               | 5000           | 560          | -                    | 1070                 | 490     | 130     | 170     | 60      | 30      | 15 x 100 | *554404            |
| TTS 10,0/5000 | 10,0          | 2000               | 5000           | 610          | -                    | 1135                 | 500     | 130     | 180     | 70      | 30      | 15 x 100 | *554411            |
| TTS 12,5/5000 | 12,5          | 2300               | 5000           | 660          | -                    | 1245                 | 500     | 130     | 180     | 75      | 40      | 10 x 135 | *554428            |
| TTS 15,0/5000 | 15,0          | 2300               | 5000           | 870          | -                    | 1275                 | 530     | 140     | 200     | 80      | 40      | 10 x 135 | *554435            |
| TTS 20,0/5000 | 20,0          | 2300               | 5000           | 1070         | -                    | 1415                 | 530     | 160     | 220     | 90      | 50      | 10 x 135 | *554442            |
| TTS 1,0/8000  | 1,0           | 3000               | 8000           | 377          | -                    | 785                  | 400     | 60      | 80      | 28      | 20      | 25 x 100 | *554459            |
| TTS 2,0/8000  | 2,0           | 3000               | 8000           | 502          | -                    | 835                  | 410     | 60      | 90      | 33      | 25      | 25 x 100 | *554466            |
| TTS 3,0/8000  | 3,0           | 3000               | 8000           | 657          | -                    | 915                  | 420     | 80      | 100     | 35      | 30      | 25 x 100 | *554473            |
| TTS 5,0/8000  | 5,0           | 3000               | 8000           | 847          | -                    | 1055                 | 470     | 100     | 150     | 40      | 30      | 25 x 100 | *554480            |
| TTS 7,5/8000  | 7,5           | 3000               | 8000           | 1165         | -                    | 1130                 | 490     | 130     | 170     | 60      | 30      | 25 x 100 | *554497            |
| TTS 10,0/8000 | 10,0          | 3000               | 8000           | 1238         | -                    | 1235                 | 500     | 130     | 180     | 70      | 30      | 25 x 100 | *554503            |
| TTS 12,5/8000 | 12,5          | 3140               | 8000           | 1453         | -                    | 1290                 | 500     | 130     | 180     | 75      | 40      | 18 x 135 | *554510            |
| TTS 15,0/8000 | 15,0          | 3140               | 8000           | 1580         | -                    | 1355                 | 530     | 140     | 200     | 80      | 40      | 18 x 135 | *554527            |

